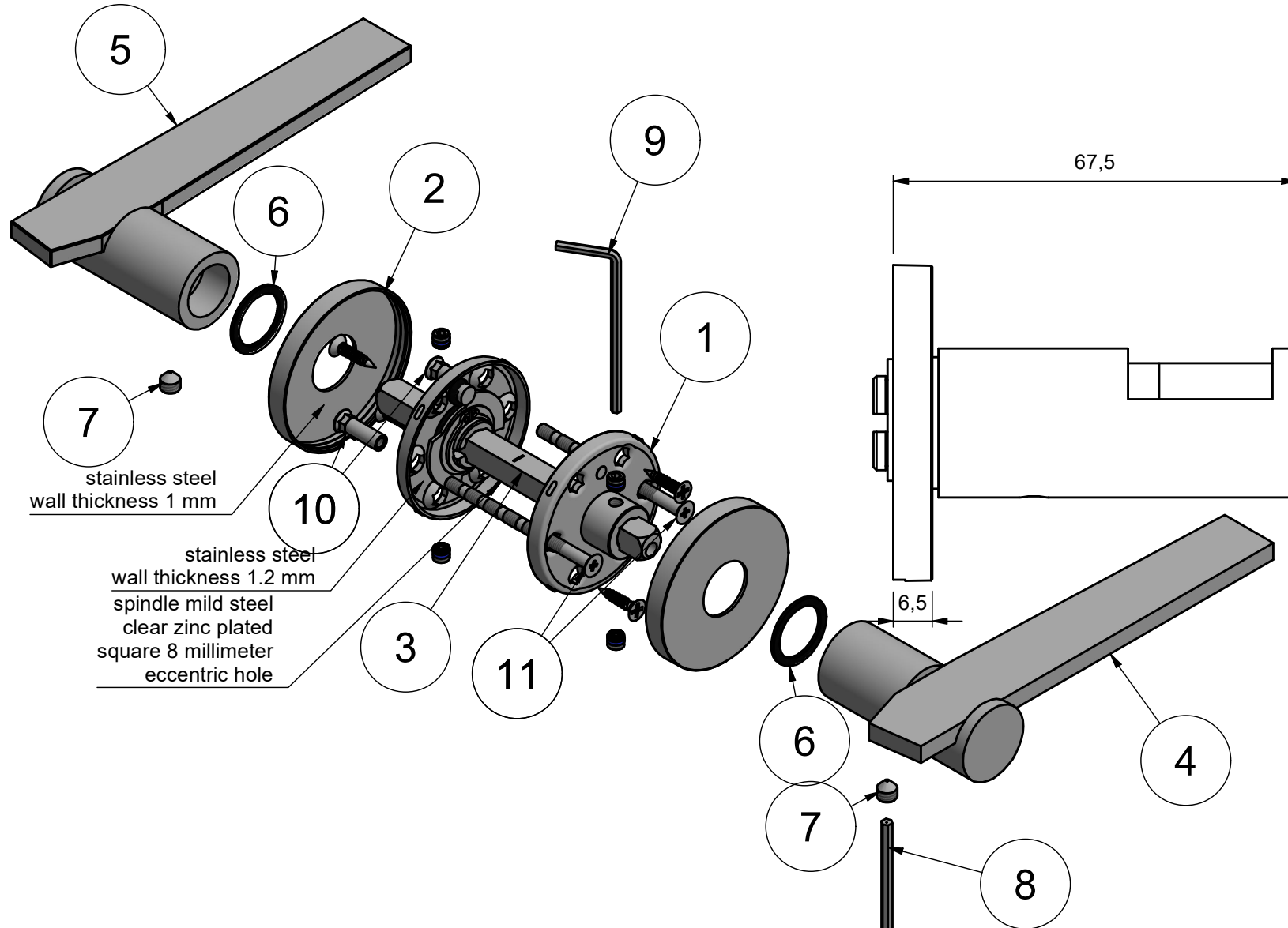
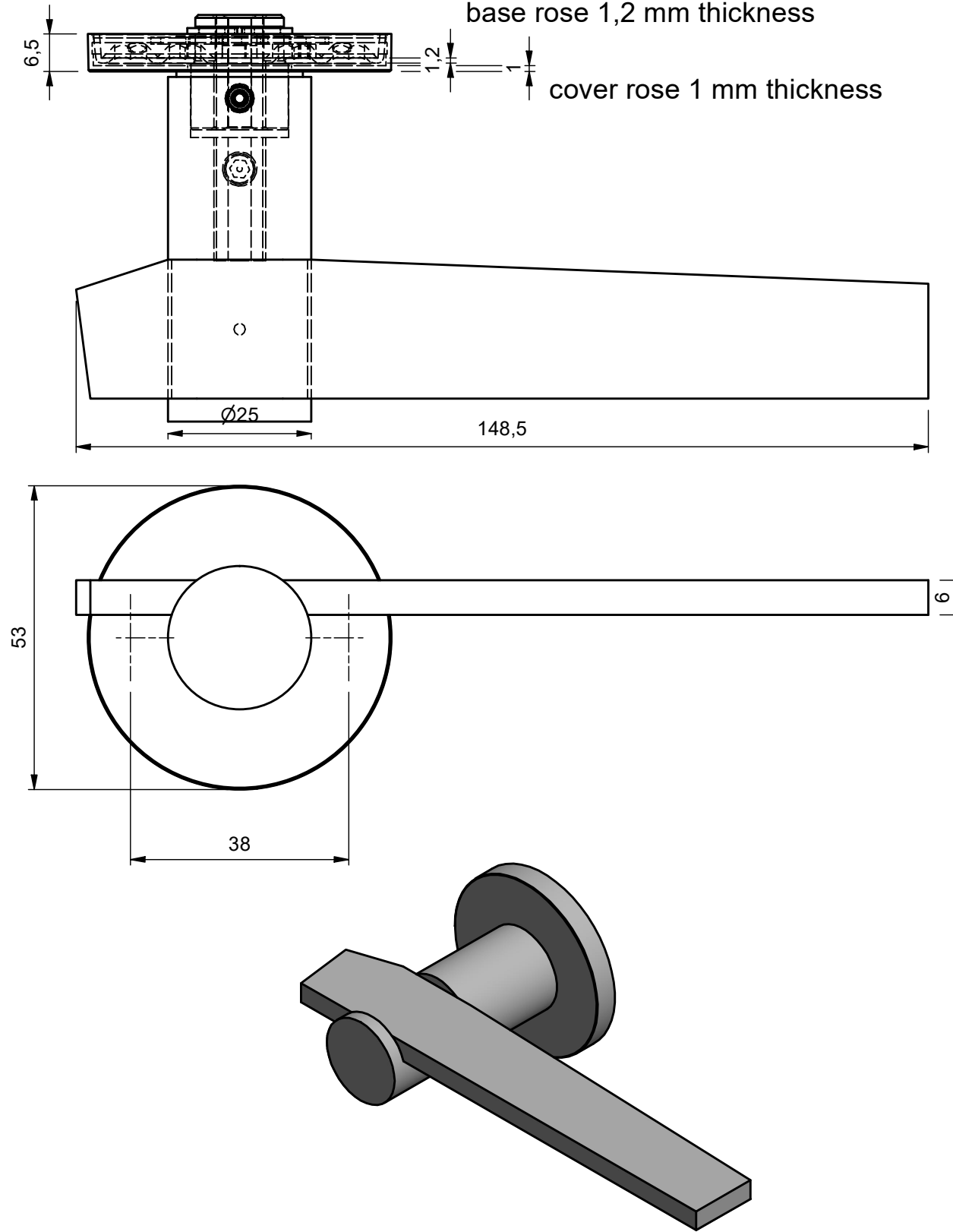


BB100-G

solid sprung lever handle
on rose with stainless steel sub-rose
all stainless steel



base rose 1,2 mm thickness
cover rose 1 mm thickness

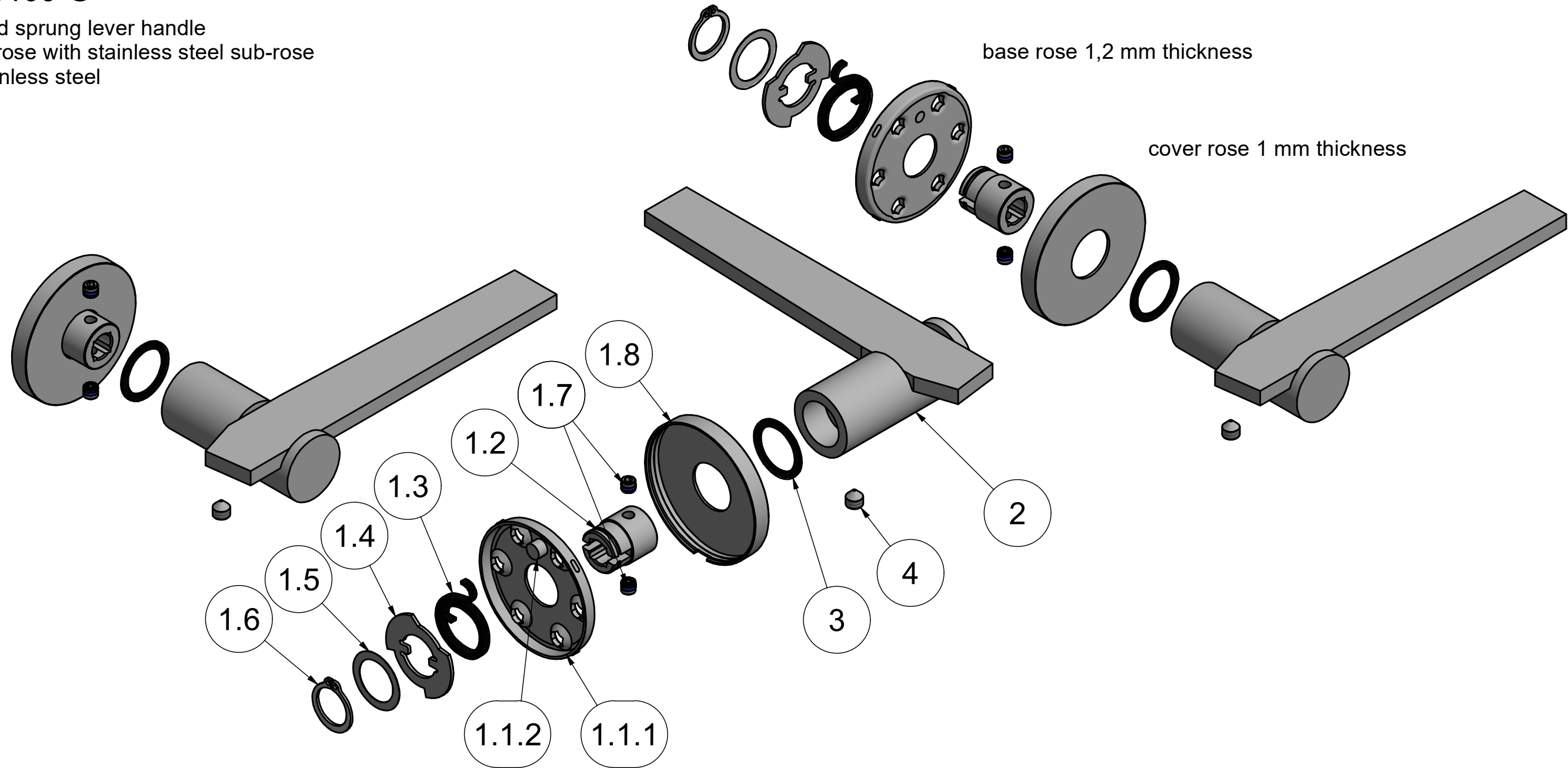


Item	Qty	Part number	Description	Material	Melting temp. °C	MASS
12	4	FSW_P0001	WOOD SCREW CSK DIN97 3.7x14 head diam 7.2	SS-304	1400-1450 °C	0,76 g
11	2	1501B002INNS0_SCREW_M4x60	JF BOOK SCREW SS M4x60 V01	SS-304	1400-1450 °C	6,02 g
10	2	1501B002INNS0_NUT_M4	JF BOOK NUT SS M4 V01	SS-304	1400-1450 °C	1,84 g
9	1	FAK_P0001_2,5mm_M5	ALLEN KEY 2.5 MM (M5)	steel	1427 °C	3,11 g
8	1	FAK_P0002_3mm_M6	ALLEN KEY 3 MM (M6)	steel	1427 °C	4,96 g
7	2	FGS_P0003_M6x6	Grub Screw M6x6	SS-304	1400-1450 °C	0,82 g
6	2	2001B012XXXX0_22x17x1_PL	Washer PL OD22xID17x1 black	nylon 6.6	264 °C	0,17 g
5	1	3301D001_2P_BB100GZR_L_V01	Handle without rose L	SS-304	1400-1450 °C	332,58 g
4	1	3301D001_1P_BB100GZR_R_V01	Handle without rose R	SS-304	1400-1450 °C	332,83 g
3	1	FSP_P0005	BB SPINDLE SQ8 L110 ECC	1.0737	1427 °C	47,19 g
2	1	3301R005_2_BBGR_L_V01	LEFT MECH WITH ROSE COVER	SS-304	1400-1450 °C	71,29 g
1	1	3301R005_1_BBGR_R_V01	RIGHT MECH. WITH ROSE COVER	SS-304	1400-1450 °C	71,29 g

<p>FORMANI®</p> <p>FORMANI HOLLAND B.V. EUROPALAAN 12 6199 AB MAASTRICHT-AIRPORT NL T +31 (0)43 308 90 00 INFO@FORMANI.COM WWW.FORMANI.COM</p>	Type :	BB100-G	Version:
	Formani filename: 3301D001_BB100G_SET_V01_DETAIL_MASS.dwg	Description:	Format
	Drawn by: Christian Brimbois	solid sprung lever handle on rose with stainless steel sub-rose all stainless steel	A3
Creation date: 18-11-2022			

BB100-G

solid sprung lever handle
on rose with stainless steel sub-rose
stainless steel



Item	Qty	Part number	Description	Material	Melting temp. °C	MASS
4	1	FGS_P0003_M6x6	Grub Screw M6x6	SS-304	1400-1450 °C	0,82 g
3	1	2001B012XXXX0_22x17x1_PL	Washer PL OD22xID17x1 black	nylon 6.6	264 °C	0,17 g
2	1	3301D001_1P_BB100GZR_R_V01	Handle without rose R	SS-304	1400-1450 °C	332,83 g
1.8	1	FRC_P0001	COVER ROSE BB 53 SPRING D18 V01	SS-304	1400-1450 °C	21,23 g
1.7	2	FGS_P0001_M5x4_GK	Grub Screw M5x4 Knurling with Glue	SS-304	1400-1450 °C	0,52 g
1.6	1	FRR_P0001	DIN471 - 15 x 1 retaining ring JF	steel	1427 °C	0,86 g
1.5	1	FWH_P0001	JF WASHER SS OD22xID16x02	nylon 6.6	264 °C	0,29 g
1.4	1	FCW_P0001	BB CAM WASHER HOR	SS-304	1400-1450 °C	4,2 g
1.3	1	FSL_P0001_MOUNT	BB SPRING PROD mounted	steel	1427 °C	3,66 g
1.2	1	FNE_P0001	NECK INSERT SQ8 D17 L20	SS-304	1400-1450 °C	20,37 g
1.1.2	1	FRB_P0002	Pin D6mm	SS-304	1400-1450 °C	1,05 g
1.1.1	1	FRB_P0001	Rose Base Plate	SS-304	1400-1450 °C	18,59 g
1.1	1	FRB_A0001	ROSE BASE BB SPRING	SS-304	1400-1450 °C	
1	1	3301R005_1_BBGR_R_V01	RIGHT MECH. WITH ROSE COVER	SS-304	1400-1450 °C	

Total weight: 405 g

<p>FORMANI HOLLAND B.V. EUROPALAAN 12 6199 AB MAASTRICHT-AIRPORT NL T +31 (0)43 308 90 00 INFO@FORMANI.COM WWW.FORMANI.COM</p>	Type :	BB100-G	Version:
	Description: solid sprung lever handle on rose with stainless steel sub-rose stainless steel		Format A3
	Formani filename: 3301D001_BB100G_R_V01_DET_MASS.dwg	Drawn by: Christian Brimbois	Creation date: 18-11-2022