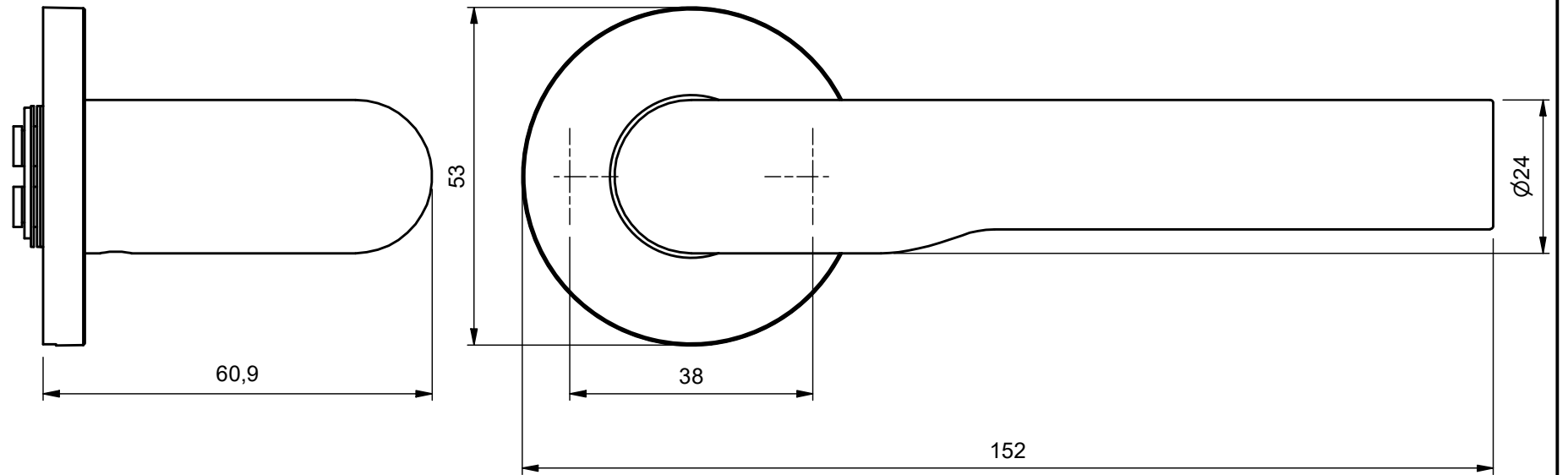
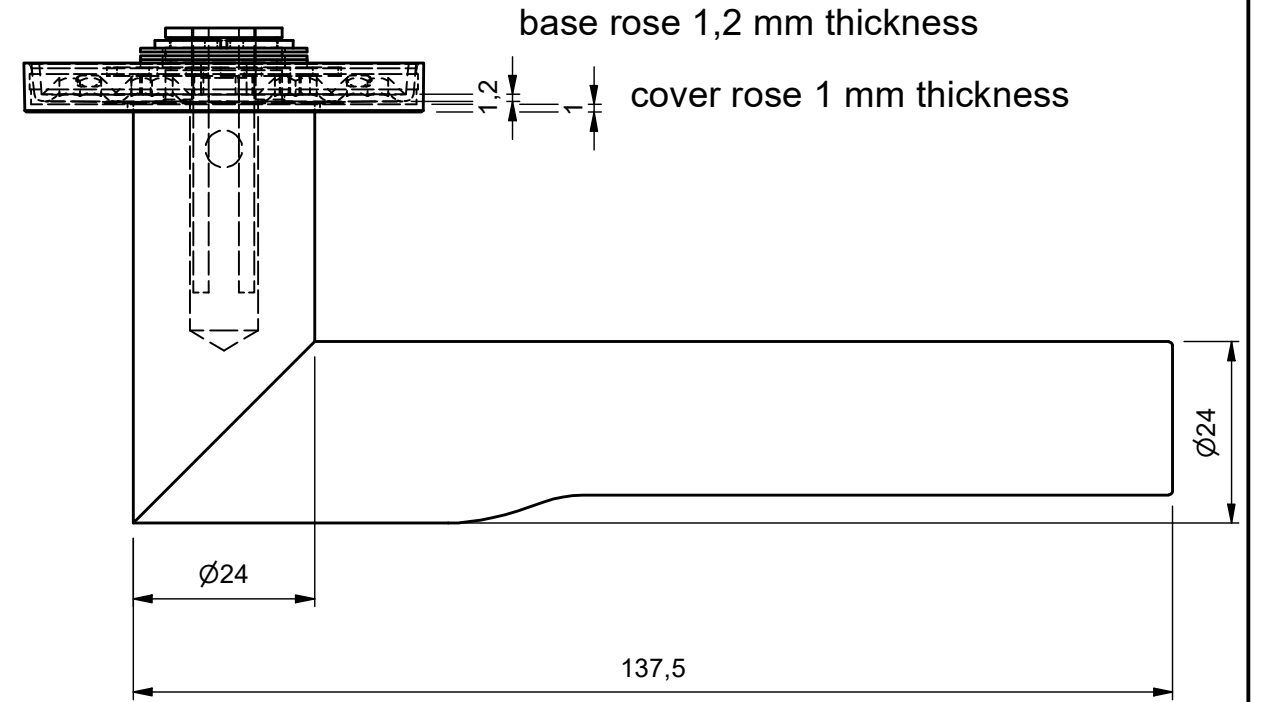
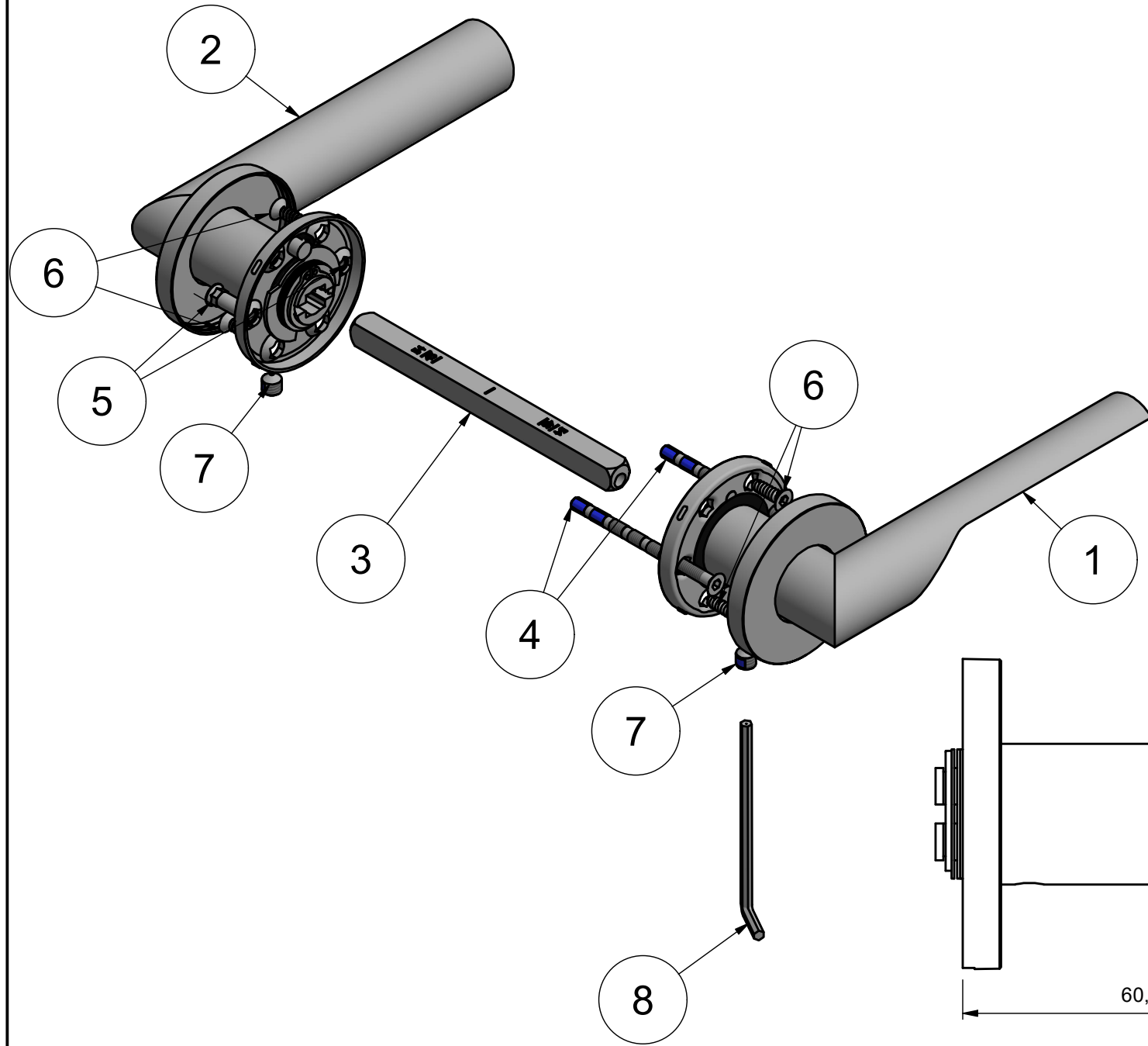


RIVIO GL101-G

solid sprung lever handle attached to rose with stainless steel sub-rose stainless steel

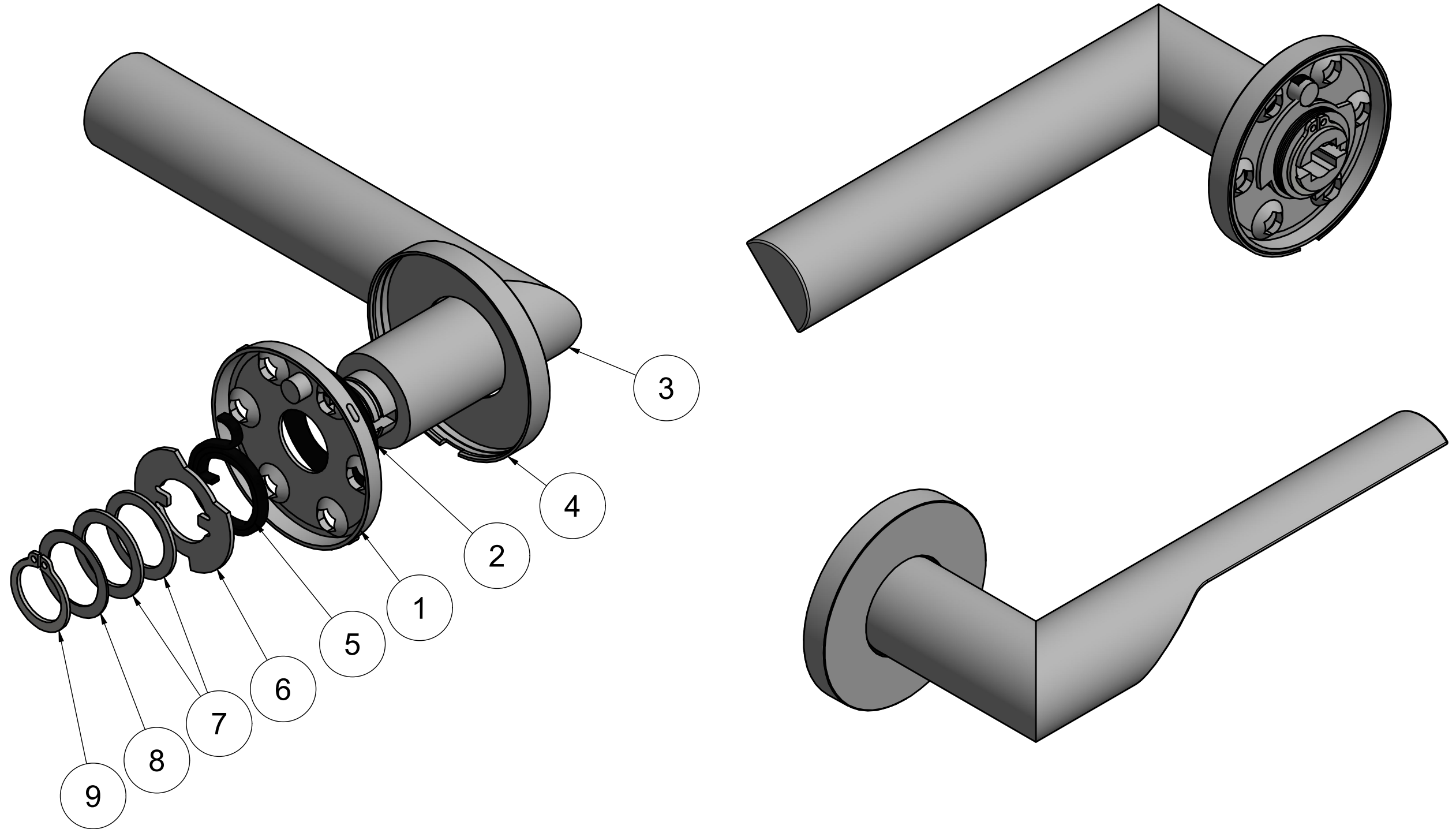


Item	Qty	Part number	Description	Material	Melting temp. °C	MASS
8	1	FAK_P0002_3mm_M6	ALLEN KEY 3 MM (M6)	steel	1427 °C	4,96 g
7	2	FGS_P0016_M6x6_G	Grub Screw M6x6 Glue	SS-304	1400-1450 °C	0,95 g
6	4	FSW_P0018_4x14_HEX	WOOD SCREW CSK hex 3 mm 3.7x14 head diam 7.2	SS-304	1400-1450 °C	0,92 g
5	2	1501B002INNS0_NUT_M4	JF BOOK NUT SS M4 V01	SS-304	1400-1450 °C	1,84 g
4	2	30SE1B001XXXX0_HEX_SCREW_M4x60	HEX BOOK SCREW SS M4x60 V01	SS-304	1400-1450 °C	5,94 g
3	1	FSP_P0005	BB SPINDLE SQ8 L110 ECC	1.0737	1427 °C	47,19 g
2	1	4101D002_GL101G_L_V01	LEVER HANDLE ON BB53 SPRUNG ROSE	SS-304	1400-1450 °C	491,09 g
1	1	4101D002_GL101G_R_V01	LEVER HANDLE ON BB53 SPRUNG ROSE	SS-304	1400-1450 °C	490,4 g

<h2>FORMANI®</h2> <p>FORMANI HOLLAND B.V. EUROPALAAN 12 6199 AB MAASTRICHT-AIRPORT NL T +31 (0)43 308 90 00 INFO@FORMANI.COM WWW.FORMANI.COM</p>	Type :	RIVIO GL101-G	Version:	V01
	Description:		Format	A3
	solid sprung lever handle attached to rose with stainless steel sub-rose stainless steel			
Formani filename: 4101D002_GL101G_SET_V02_DETAIL_MASS.dwg				
Drawn by: Semih Aslan				
Creation date: 16-11-2022				

RIVIO GL101-G

solid sprung lever handle attached
to rose with stainless steel sub-rose
stainless steel



Item	Qty	Part number	Description	Material	Melting temp. °C	MASS
9	1	FRR_P0001	DIN471 - 15 x 1 retaining ring JF	steel	1427 °C	0,86 g
8	1	FWH_P0063	JF WASHER SS OD22xID16.2x0.5	SS-304	1400-1450 °C	0,7 g
7	2	FWH_P0090	JF WASHER SS OD22xID16.2x1.0	SS-304	1400-1450 °C	1,39 g
6	1	FCW_P0001	BB CAM WASHER HOR	SS-304	1400-1450 °C	4,2 g
5	1	FSL_P0001_MOUNT	BB SPRING PROD mounted	steel	1427 °C	3,66 g
4	1	FRC_P0004	COVER ROSE BB 53 SPRING D25 V01	SS-304	1400-1450 °C	19,2 g
3	1	4101D022_1P_GL101G_ZRD_R_V01		SS-304	1400-1450 °C	439,22 g
2	1	1501B091NMKS0	Ring D31.5Xd16X0.2mm black for mass. tube handles	nylon 6.6	264 °C	0,13 g
1	1	FRB_A0001	ROSE BASE BB SPRING	SS-304	1400-1450 °C	19,64 g

Total weight: 491 g

	FORMANI HOLLAND B.V. EUROPALAAN 12 6199 AB MAASTRICHT-AIRPORT NL T +31 (0)43 308 90 00 INFO@FORMANI.COM WWW.FORMANI.COM	Type :	RIVIO GL101-G	Version:	V01
	Formani filename: 4101D002_GL101G_R_V02_DETAIL_MASS.dwg	Description: solid sprung lever handle attached to rose with stainless steel sub-rose stainless steel	Format A3		
	Drawn by: Semih Aslan				
Creation date: 16-11-2022					